

MAR 209

Modular Ice Machine 1600 kg

Item #:
Project:
Quantity:



FEATURES

- Scale ice machine, in "split system" version; built-in unit. Storage bin not supplied, to be purchased separately.
- To be connected to condensing unit or central cooling system (low temperature).
- AISI304 Stainless steel evaporator and ice scraper blade. Redesigned evaporator compartment end-walls.
- Redesigned evaporator compartment end-walls, electromechanical control panel.
- Electromechanical control panel. Electrical protections, rotation speed & reverse phase controls.
- Low- water sensor protection. Storage bin thermostatic ice level sensor. Drive motor / gear reducer with V-Belt drive.
- Stainless steel panels in scotch-brite finish, with rounded corners, easy to remove for maintenance.
- Supplied w/expansion valve, solenoid valve, pressure regulating valve (KVP), heat exchanger.

CONDENSING SYSTEM

SPLIT




REFRIGERANT GAS

R744



VOLTAGE V/Hz/ph

400/50/3N

RECOMMENDED BINS

Head	Bins		kg
MAR 209		UBH1600	812
		UBH2250	1068
		SIS1350	613 + 73 + 73

LEGEND:

-  : Perfect combination between ice maker and bin
-  : Ice chute cut-out performed upon installation
- CBTxxxxxxxx : need additional bin top



MAR 209
Scale ice
Residual water content 2%
Thickness 1 or 2 mm

CERTIFICATIONS



OPERATING REQUIREMENTS

	Minimum	Maximum
Air temperature	10	43
Water temperature	5	38
Water pressure	1 bar (14 psi)	5 bar (70 psi)
Electrical voltage	-10	+10

IMPORTANT NOTICE:
Models and specifications are subject to change without notice.
This spec sheet is meant for commercial purpose only.
For technical documentation please refer to our service manuals.

Download our free **App Scotsman Ice**
Apple store
Google play
Windows store



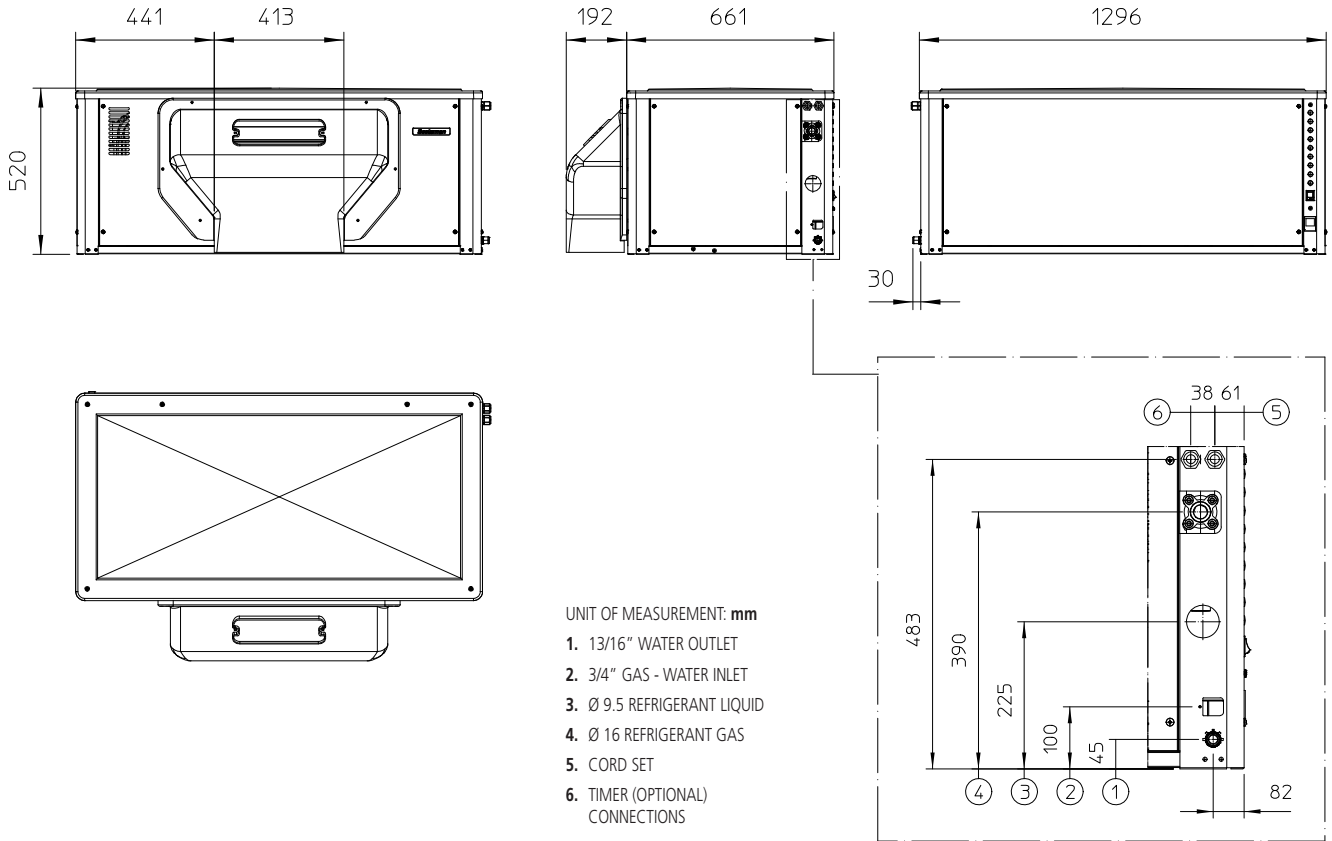
www.scotsman-ice.it
www.scotsman-ice.com

Modular Ice Machine 1600 kg

MAR 209

Modular Ice Machine 1600 kg

Item #:
Project:
Quantity:



Modular Ice Machine 1600 kg

UNIT DATA		SHIPPING DATA		All data refer to R744 refrigerant models										
Size (W x D x H)	1326 x 853 x 520 mm	Carton (W x D x H)	1410 x 790 x 680 mm											
Net weight	175 kg	Weight	199 kg											
		24 h ice production kg °C Amb. / °C Water		Energy consumption (*)		Water usage (*)	Instant power	Compressor	Circuit wires	Max. fuse size				
Version	Voltage	10°C/10°C		21°C/10°C		32°C/21°C		kWh/100 kg	kWh/24h	l/h	W	W	No. x Ømm ²	A
MAR 209 SPLIT	400/50/3N	1600	n.a.	1600	n.a.	n.a.	n.a.	0.6	9.6	67	395	9000	5 x 2.5	10
Compressor:	(Te -20.0°C; Tc +40.0°C)													

(*) Data refer to 32°C Amb. / 21°C Water temperature conditions